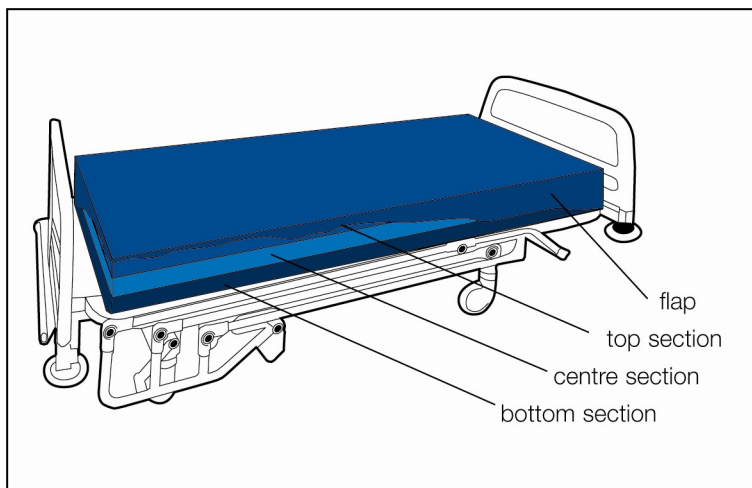


NEW



range

TRI-FLEX – Prima style complete mattress



Construction

- 3 section CMHR foam mattress
- Layered top section
- Profiled centre section
- Supportive base section
- Stitched cover with zipped closure
- Screenprint to top section only

Weight guide* - 185kg / 29stone

Product Specifics:

Length - 1930mm
 Width - 900mm
 Depth - 150mm
 Weight - 13.5kilo

Risk category* - High dependency

Indication of risk - not a prescriptive criteria

Foam Specification - C54/120 / C40/120 (top section)
 F36/125 (centre section)
 C40/170 (base section)

Mattress Cover

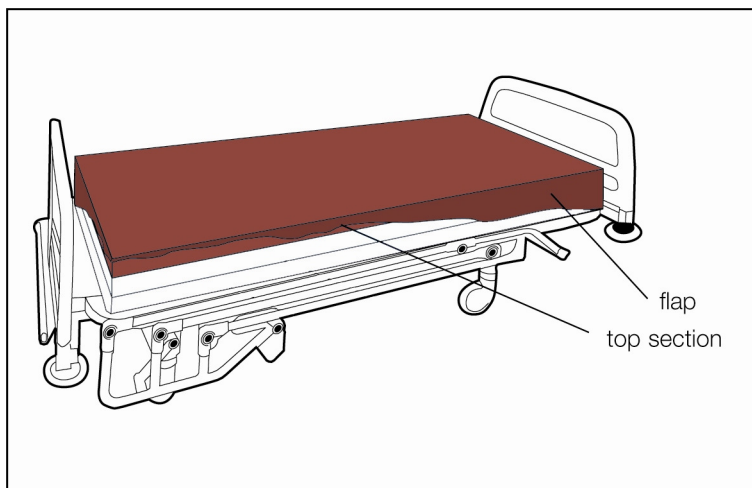
Material

- PU coated fabric
- 2 way stretch
- Vapour permeable
- Waterproof
- Sewn seams
- Fire retardancy BS7177 : 2008 medium hazard; Fillings comply with: Furniture and Furnishings (Fire) (Safety) Regulations 1988
- Cleaning



Warranty period - 4 years reducing

TRI-FLEX – Alternative memory foam top section



Construction

- CMHR base
- Memory foam upper
- Screenprint
- Stitched cover with zipped closure

Weight guide* - 185kg / 29stone

Product Specifics:

Length - 1930mm
 Width - 900mm
 Depth - 50mm
 Weight - 5kilos

Risk category* - High dependency
 Indication of risk - not a prescriptive criteria

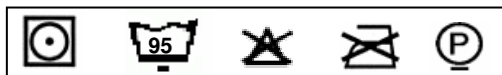
Foam Specification - V66090 / C40/120

Mattress Cover

Material

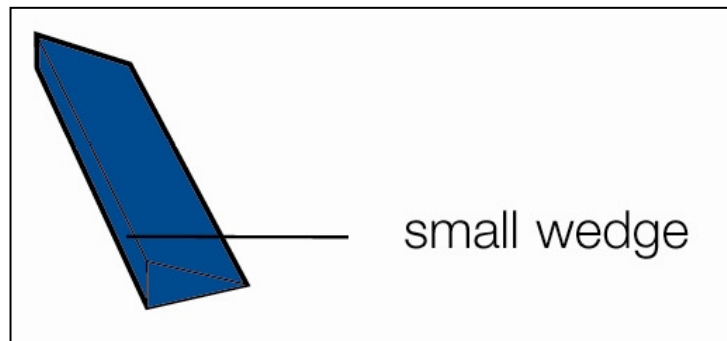
- PU coated fabric
- 2 way stretch
- Vapour permeable
- Waterproof
- Sewn seams
- Fire retardancy BS7177 : 2008 medium hazard; Fillings comply with: Furniture and Furnishings (Fire) (Safety) Regulations 1988

Cleaning



Warranty period - 4 years reducing

TRI-FLEX – Small Wedge



Construction

- CME foam
- Stitched cover with zipped closure

Weight guide*

- N/A

Product Specifics:

Length	-	277mm
Width	-	635mm
Depth	-	127/5mm
Weight	-	0.5 kilo

Risk category*

- N/A

Foam Specification

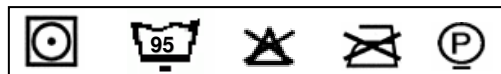
- CME30H

Mattress Cover

Material

- PU coated fabric
- 2 way stretch
- Vapour permeable
- Waterproof
- Sewn seams
- Fire retardancy BS7177 : 2008 medium hazard; Fillings comply with: Furniture and Furnishings (Fire) (Safety) Regulations 1988

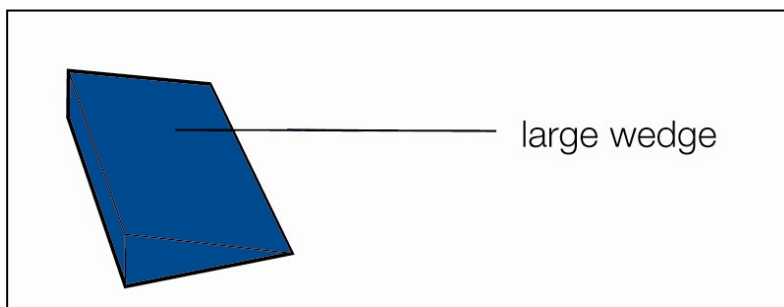
Cleaning



Warranty period

- 4 years reducing

TRI-FLEX – Large Wedge



Construction

- CME foam
- Stitched cover with zipped closure

Weight guide* - N/A

Product Specifics:

Length - 508mm
 Width - 635mm
 Depth - 235/5mm
 Weight - 1.5kilo

Risk category* - N/A

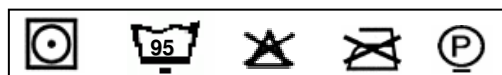
Foam Specification - CME30H

Mattress Cover

Material

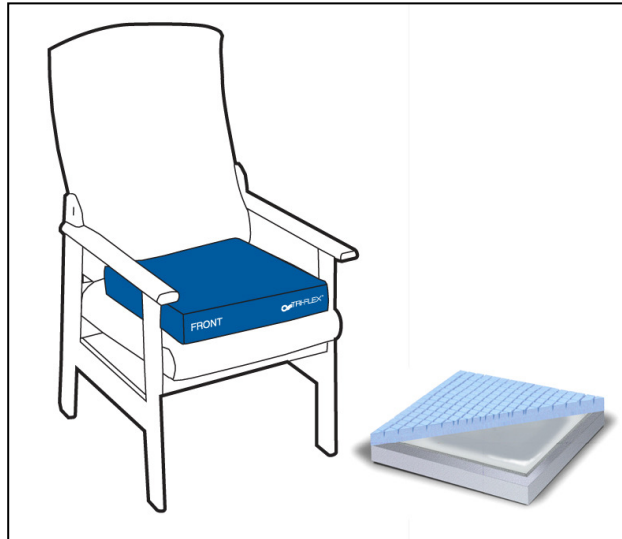
- PU coated fabric
- 2 way stretch
- Vapour permeable
- Waterproof
- Sewn seams
- Fire retardancy BS7177 : 2008 medium hazard; Fillings comply with: Furniture and Furnishings (Fire) (Safety) Regulations 1988

Cleaning



Warranty period - 4 years reducing

TRI-FLEX – Gel Cushion



Construction

- Safeguard. CMHR foam with gel insert
- Stitched cover with zipped closure
- Screenprint

Weight guide* - 121kg/19stone

Product Specifics:

Length - 432mm
 Width - 432mm
 Depth - 76mm
 Weight - 3kilos

Risk category* - High Risk

Indication of risk - not a prescriptive criteria

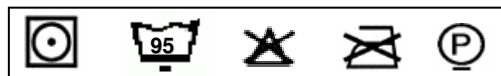
Foam Specification - C54/220 / C40/170

Mattress Cover

Material

- PU coated fabric
- 2 way stretch
- Vapour permeable
- Waterproof
- Sewn seams
- Fire retardancy BS6807:2006 (top test only); Fillings comply with: Furniture and Furnishings (Fire) (Safety) Regulations 1988

Cleaning



Warranty period - 12 Months